

C-W1638P 16 Ga, 15/16" Wide Crown Stapler

MANUAL/WARNING:

IMPORTANT PLEASE READ BEFORE USING TOOL

Please read the following operating instructions manual. Refer to this manual for safety, adjustment and trouble shooting instructions. If you have any further questions please contact your distributor.

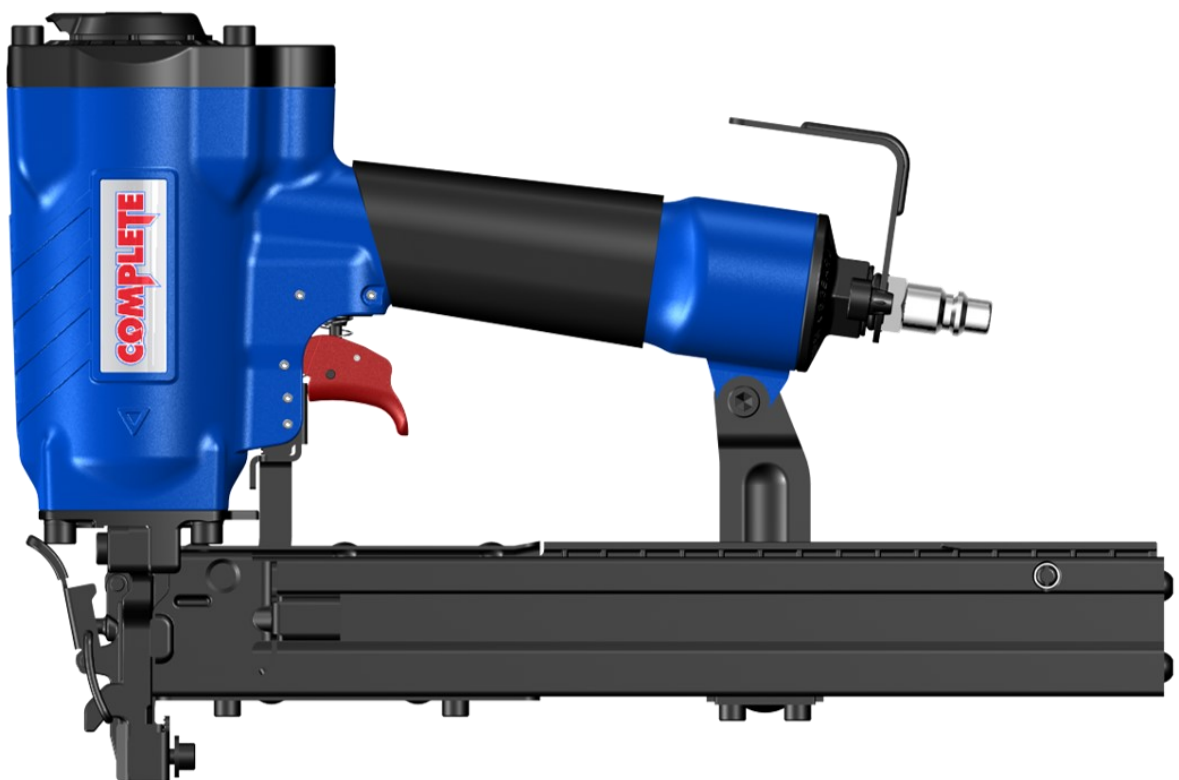




TABLE OF CONTENTS

	PAGE
TOOL SPECIFICATION.....	3
SAFETY INSTRUCTIONS.....	4
COMPRESS AIR SYSTEMS.....	5
OPERATING INSTRUCTIONS.....	6
PRECAUTIONARY MEASURES.....	7
MAINTENANCE.....	8
TROUBLE SHOOTING.....	9
TROUBLE SHOOTING.....	10
EXPLODED VIEW OF TOOL.....	12
PARTS LIST.....	13



TOOL SPECIFICATIONS

MODEL OF TOOL..... C-W1638P

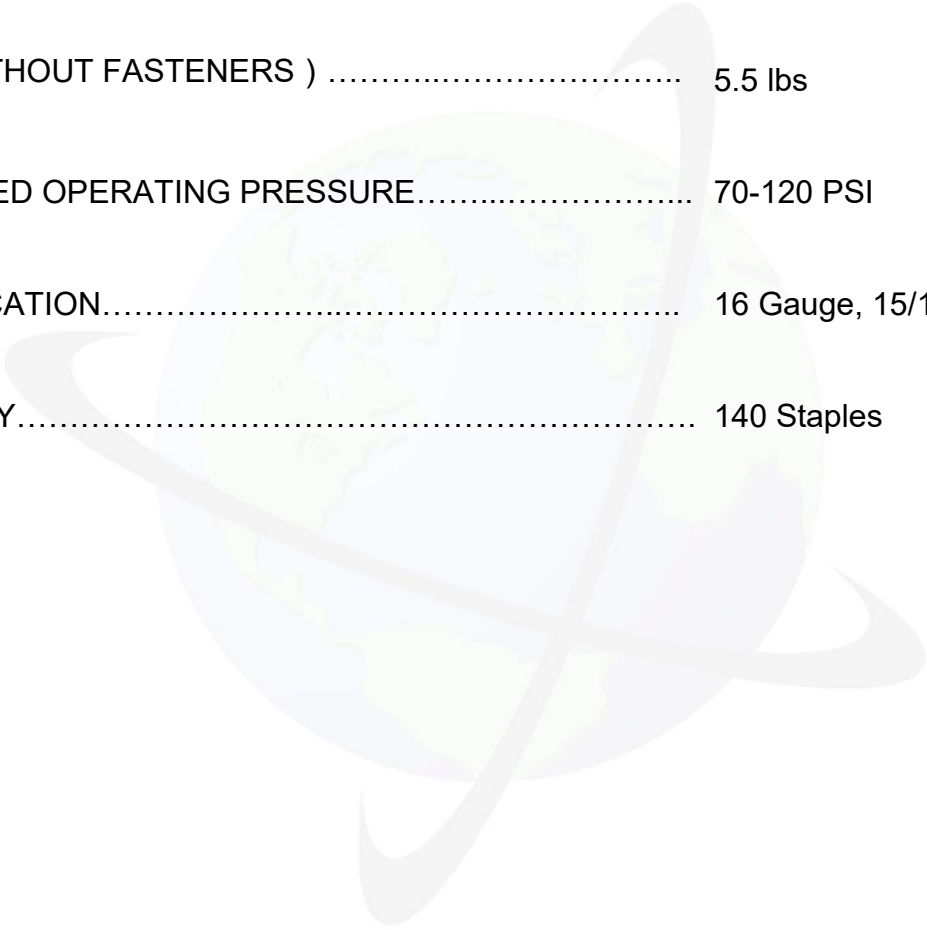
DIMENSIONS (L x H x W) approx..... 14.17" x 3" x 9.29"

WEIGHT (WITHOUT FASTENERS) 5.5 lbs

RECOMMENDED OPERATING PRESSURE..... 70-120 PSI

NAIL SPECIFICATION..... 16 Gauge, 15/16" Wide Crown

NAIL CAPACITY..... 140 Staples





SAFETY INSTRUCTIONS

Use safety glasses: all persons in the work area must always wear safety glasses in order to prevent eye injuries.

Ear protection must also be worn to prevent a possible hearing loss.

Use clean dry regulated compressed air at the recommended pressure (given in the technical data).

Use only fasteners according to manufactures technical data.

Never exceed the maximum recommended operating pressure of this tool.

Never use oxygen, carbon dioxide, combustible gases or any bottled gas as a power source.

Always disconnect the air supply when doing any tool maintenance, clearing a jam, moving location, leaving the work area or passing the tool.

Regularly inspect the safety, the trigger and the springs for free unhindered movement, never use a tool that requires servicing.

Connect the male free flow nipple to the tool side of the air line so that the tool is depressurized when disconnected from the hose.

Never load fasteners with the trigger safety depressed, it will result in a fastener being fired.

Never carry the tool with the safety depressed, if bumped it will result in a fastener being fired.

Never point the tool at yourself or at any one else.

Never fire a fastener into a hard brittle surface such as concrete, steel or tiles.

Do not drive fasteners too close to an edge or at too great an angle as the fastener may fly free or ricochet causing personal injury and damage.

Always ensure that the work area is amply lit so as to avoid possible accidents.

Never remove, tamper with or otherwise cause the tools operating controls to become inoperable.



COMPRESSED AIR SYSTEM

Proper use of the fastener driving tool requires an adequate quantity of clean dry compressed air. All compressed air contains moisture and other contaminants detrimental to the tool and so it is recommended to use an in line lubricator as close to the tool as possible (within 15 feet (4.5m)). The lubricator should be well maintained so as to ensure optimum performance and power. All parts of the air supply system should be clean and contaminant free.

The tool shall only be connected to a compressed air line where the maximum allowable pressure cannot be exceeded by a factor of more than 10%, which can for example be achieved by a pressure reduction valve which includes a downstream safety valve.

A male free flow coupling should be connected to the tool side of the system with the female coupling providing a seal to prevent air loss from the compressor tank upon disconnection. Never connect a female disconnect coupling to the tool side as this provides a seal which prevents loss of compressed air from the air tank and if connected to the tool it could seal a charge of air in the tool which could lead to an unintentional actuation. Do not mount a swivel connector in the air supply line.

Different work pieces will require different operating pressures, the harder the wood the greater the pressure required. Remember always use the lowest pressure required for the work process at hand, this being to prevent unnecessarily high noise levels, increased wear and resulting failures.

WARNING Keep hands and body away from the discharge area of the tool when connecting the air supply and always disconnect the tool when servicing, adjusting, cleaning and when the tool is not in use.



OPERATING INSTRUCTIONS

Loading fasteners

Press the latch mechanism and slide open magazine unit.
Load fasteners onto the magazine.
Close the magazine.

Type of actuating and trigger system

Dual action safety / contact safety: it will be necessary to activate the contact safety mechanism as well as the trigger in order to fire a fastener. By keeping the trigger activated and activating the contact safety a fastener is fired, this allows for high speed firing, also known as bump firing.

Operating procedures

Protective equipment: before using any tool always ensure that you and those in the work area are using the appropriate working equipment, including safety goggles.

Firing a fastener: to fire a fastener hold the nose of the tool against the work piece to depress the contact safety then pull the trigger to fire a fastener.

Exhaust air: each time a fastener is driven a blast of air is exhausted from the top front area of the tool, keep your face clear of this.

Depth control: check whether the fastener has been driven into the work piece in accordance with requirements, the driven depth can be controlled by adjusting air pressure.

Always use the lowest possible air pressure for the following reasons,

- save energy
- less noise will be produced
- a reduction in fastener driving tool wear will be achieved

Any defective or improperly functioning tool must be immediately disconnected from the compressed air supply and passed to a specialist for inspection.



PRECAUTIONARY MEASURES

'Respect your tool and never horseplay'

- Always assume that the tool contains fasteners.
- Remove finger from the trigger when not driving fasteners. Never carry the tool with your finger on the trigger, as the tool will fire a fastener if the trigger is bumped.
- Keep tool pointed in a safe direction at all times, never pointing it toward yourself or others whether it contains fasteners or not.
- Never attempt to drive a fastener into material that is too hard, or at too steep an angle or near the edge of the work piece, the fastener can ricochet causing personal injury. Remember, always hold nose right up to and firmly against the work material.
- Disconnect the tool from the air supply before performing any maintenance, leaving the work area, moving to another location, or handing the tool to another person.
- Always disconnect the tool before removing any jams. The C-W1638 series staplers have an quick clear nose design for easy extraction of jammed staples.
- Carefully check the tool for proper operation of trigger mechanism. Do not use the tool unless the trigger and any other of the operating control are functional. Do not use the tool if the tool is leaking air or needs repair.
- Written approval of the tool manufacturer must be obtained before making any modifications to the tool.



MAINTENANCE

'Clean and inspect your tool every time you use it'

The employer and tool operator are responsible for assuring that the tool is kept in safe working order. Furthermore only service personnel trained by the manufacturer, distributor, or employer shall repair the tool.

CAUTION Always remove the air supply before commencing any cleaning or inspection.

Wipe tool clean and inspect tool for wear or damage. Use non-flammable cleaning solutions to wipe the tool. Never soak the tool in these solutions as they can cause internal damage.

Always ensure that all of the screws are kept tight as loose screws can cause injury or can damage the tool.

Tools requiring lubricant: If the tool is used without an in line lubricant then be sure to put in about 3 drops of lubricant at the start of each workday and 3 drops for every 1,000 fasteners fired there after.

Tools shall be repaired or equipped only with parts or accessories that are supplied or recommended by the tool manufacturer / supplier.

NEVER use a tool that requires repair work.



TROUBLE SHOOTING

Failure	Possible causes	Check Method	Counter measures
No staple is ejected	Incorrect staples are loaded. Abnormal staples are loaded (large-sized head ,bent, etc.)	Check if recommended staples are loaded	Use recommended staples Remove abnormal staples and load normal staples
	Magazine Unit Push lever Defective feeder (either bent or broken) Defective feed spring (worn or broken)	Check for abnormalities of staple feeding portion (deflected, worn, deformed broken)	Repair deformed parts Replace defective parts
	Narrow or wide width of the Magazine groove Worn staple supporting portion of Magazine Abnormal staple guide groove of Blade Guide (deflected, deformed or broken)	Load staples and confirm that they will move smoothly	
No staple is ejected	Adhesive fragment or wood dust sticking on the Magazine or staple feeder		Remove adhesive fragment or wood dust
	Push lever	Check push lever movement	Replace
	[Output unit :Piston or driver] Air pressure too low	Carry out idle driving and check the return of the driver blade	Check compressor
	Worn piston ring		Replace piston ring
	Defective piston bumper		Replace the piston bumper
	Defective bumper piece (defective, worn or broken)		Replace the piece
	Defective O-ring (disconnected, deformed or broken)		Reassemble or replace the o-ring
	Defective driver blade, (deflected, deformed or broken)	Replace	
Defect inside cylinder (adhesive or wood fragment, worn)	Check if the nailer drives at minimum operating pressure	Remove adhesive fragment or wood dust	

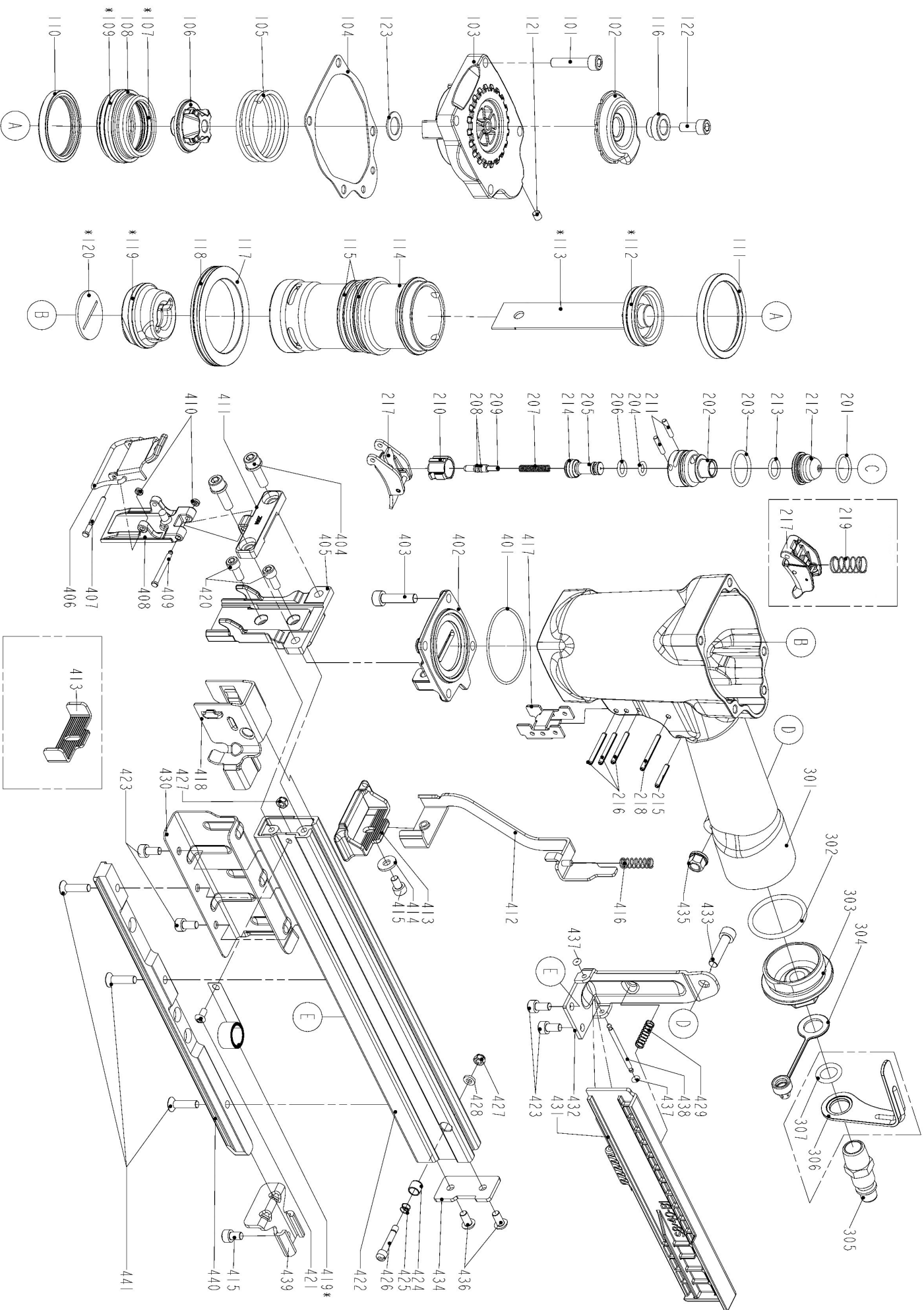


TROUBLE SHOOTING

Failure	Possible causes	Check Method	Counter measures
The driven staple is bent	Staples are inaccurately fed into the Blade Guide Incorrect staples are loaded	Refer to item above	Refer to item above
	Worn driver blade	Check if the driver blade is extremely worn or not	Replace the driver blade
	The wood is too hard	Check if the nails bend on softer wood or not	Stop using the tool
The driven staples do not fully penetrate the work piece (heads protrude)	The wood is too hard	-	Stop using the tool
	Air pressure too low	-	Adjust the air pressure
	Worn or broken driver blade	Carry out idle driving and check if the driver blade protrudes from the blade guide nose	If the driver blade does not protrude from the blade guide replace
	Incorrect driving depth adjustment	Check if the tip of the driver blade is excessively worn or not	Adjust the guide plate to the appropriate position.
	Defective piston ring (worn or broken) Defective inner surface of cylinder (worn or rough)	Disassemble the output unit and check the inside and outside surfaces of the piston ring and cylinder	Replace the defective parts
Staples clog within the ejecting gate	Staples are inaccurately fed into the blade guide Incorrect Staples are loaded	Refer to first item	Refer to first item Use designated staples
	Worn tip of the driver blade	Carry out idle driving and check if blade tip if worn or not	Replace
	Worn guide groove of the blade guide	Check the wear of the blade guide	Replace
	Work piece material is too hard		Stop using the tool



NOTES



ITEM	PARTS NO	PARTS NAME	QTY	ITEM	PARTS NO	PARTS NAME	QTY
101	2040101-04110-0	HEX.SOC.HD.BOLT	4	304	1132L-0010001-1	AIR PLUG CAP	1
103	11369-0821301-1	CAP	1	305	1135V-0000007-1	AIR PLUG	1
104	11302-0824701-1	CYLINDER CAP SEAL	1	306	1133D-0784702-1	SPRING RETAINER	1
105	11360-0460001-3	COMPRESSION SPRING	1	307	2041106-02050-0	O - RING	1
106	11370-0820001-1	SEAL	1	401	2041109-05160-0	O - RING	1
107*	2041104-04070-0	O - RING	1	402	11326-1744701-1	BASE	1
108	11368-0820001-2	HD.VALVE PISTON	1	403	2040101-04090-2	HEX.SOC.HD.BOLT	4
109*	2041109-05030-0	O - RING	1	404	2040100-04010-2	BOLT ASSY	2
110	11399-0460002-1	COLLAR	1	405	11303-1864701-1	DRIVER GUIDE	1
111	1135J-0070001-1	PRESS RING	1	406	11244-1744701-1	LOCK HANDLE UNIT	1
112*	2041104-04081-0	O - RING	1	407	1131K-1744701-1	PIN	1
113	11204-1860001-1	DRIVER UNIT	1	408	11352-0104703-1	DRIVER GUIDE COVER A	1
114	11320-0820001-1	CYLINDER	1	409	11324-0104701-1	FIXED PIN	1
115	2041104-05030-0	O - RING	2	410	1131D-0460001-1	URETHANE RETAINER	2
117	11321-0820001-1	CYLINDER SPACER	1	411	11353-1744701-1	DRIVER GUIDE COVER B	1
118	2041104-07020-0	O - RING	1	412	11256-0104701-2	SAFETY B UNIT	1
119*	11327-1744701-1	BUMPER	1	413	11254-0104701-1	SAFETY A UNIT	1
120	11388-1744701-1	DRIVER GUIDE	1	414	2040202-03010-0	FLAT WASHER	1
121	2040104-03010-0	HEX.SOC.HD.SCREW	1	415	2040101-03030-1	HEX.SOC.HD.BOLT	1
123	11381-0100001-1	WASHER	1	416	11337-0084701-1	SAFETY SPRING	1
201	2041104-02060-0	O - RING	1	417	11338-0074702-1	SAFETY GUIDE	1
202	11374-0860001-1	PLUNGER CAP	1	418	11363-1864701-1	PUSHER	1
203	2041100-02050-0	O - RING	1	419*	11372-0460001-1	SPRING	1
204	2041100-01070-0	O - RING	1	420	2040101-03050-2	HEX.SOC.HD.BOLT	2
205	11335-0860001-1	VALVE PLUNGER	1	421	2040102-02010-0	HALF ROUND HD.HEX.BOLT	1
206	2041100-01050-0	O - RING	1	422	11389-1864701-1	MAGAZINE A	1
207	11376-0860001-1	SPRING	1	423	2040101-03040-2	HEX.SOC.HD.BOLT	4
208	2041108-01020-0	O - RING	2	424	1132N-1740001-1	DEEP IMPACT SOCKET 1	1
209	11375-0860002-1	PLUNGER	1	425	11311-0074701-1	LATCH SPRING	1
210	11373-0860001-1	TRIGGER VALVE HEAD	1	426	11310-1744701-1	DOOR LATCH	1
211	11329-0860001-1	PIN	2	427	2040500-02020-0	LOCK NUT	2
212	1137A-0860001-1	COVER-PLUNGER	1	428	2040202-02010-0	FLAT WASHER	1
213	2041104-02070-0	O - RING	1	429	11311-0104701-1	LATCH SPRING	1
214	2041100-01030-0	O - RING	1	430	11314-0104702-1	STAPLERS BRACKET	1
215	2040401-05100-0	SPIRAL PINS	1	431	11348-0104701-1	MOUNTING BRACKET	1
216	2040401-05150-0	SPIRAL PINS	3	432	11323-0104704-2	POSITIONING SHEET	1
217	11224-0074701-1	TRIGGER UNIT(Bump Fire)	1	433	2040101-04091-0	HEX.SOC.HD.BOLT	1
218	2040401-05160-0	SPIRAL PINS	1	434	11397-0104701-1	GUIDE COVER	1
219	11376-0370001-1	SPRING	1	435	2040501-04010-0	BOLT CAP	1
301	11230-082E801-1	GUN BODY UNIT	1	436	2040102-03020-2	HALF ROUND HD.HEX.BOLT	2
302	2041101-04020-0	O - RING	1	437	2041109-01010-0	O - RING	2
303	11346-0951303-1	END CAP	1	438	1135N-0074701-1	HINGE POINT	1
KIT	11204-1860002-1	DRIVER UNIT	1	KIT	11240-1864706-1	MAGAZINE ASSEMBLY	1
KIT	11201-0821302-1	CAP ASSEMBLY	1	KIT	11226-0860002-1	TRIGGER VALVE ASSEMBLY	1
KIT	11201-0821302-1	CAP ASSEMBLY	1	KIT	7USAX-3007002-1	BELT HOOK	1



Visit our web site
www.axxisus.com

Or

Email us @
reception.inc@axxisus.com

COMPLETE